

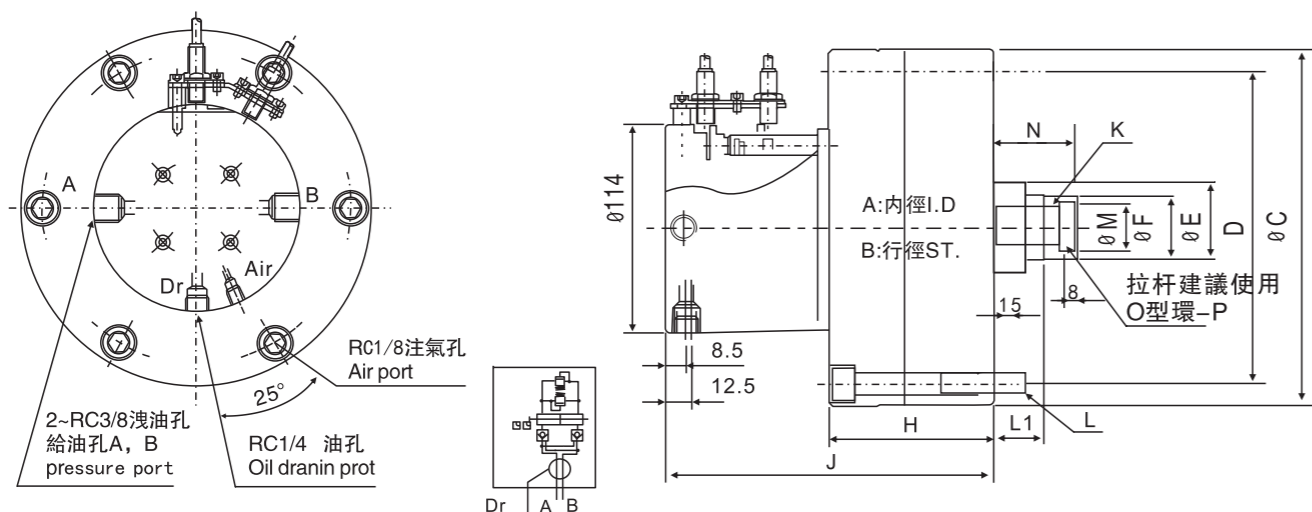
> SLANE SERIES

精短整合型注氣回轉油壓缸 (一)

COMPACT STYLE HYDRAULIC CYLINDER WITH AIR CONNECTION AND SAFETY DEVICE



- ◎ 高速，輕量整合型注氣回轉油壓缸，可經由後端回轉繼手供給空氣內建逆止閥自鎖機構，泄壓閥及行程控制近接開關。
- ◎ 安裝時可由後端鎖固之。
- ◎ 泄油孔配管務必單獨接回油壓槽，以避免產生背壓。
- ◎ 使用時，請混入微量的油霧。
- ◎ For short form, light weight and high speed rotary cylinder. To allow compressed air to be feed from the rear end of the distributor through the rotating union.
- ◎ Built-in safety check valves, pressure relief valves and proximity sensor.
- ◎ Can screw it from the rear end of the cylinder when mounting.
- ◎ The drain port should be independently connected to oil tank to avoid back pressure.
- ◎ When used, a little oil mist should be contained.



型號 Model	活塞面積壓側 Eff. piston area cm ² Extend	活塞面積拉側 Eff. piston area cm ² Retract	行程 (mm) Piston stroke	最高回轉速 max r.p.m	最大使用壓力 Max. Operating Pressure MPa(kgf/cm ²)	注氣部最高使用壓力 Air connection max. pressure Mpa (kgf/cm ²)	慣性矩 kg·m ²	重量 Weight (kg)
SLAN-E110	91.2	87.9	20	6000	4.0(40)	0.8(8)	0.02	6.9
SLAN-E120	109.3	106	21	6000	4.0(40)	0.8(8)	0.02	8.8
SLAN-E130	128.9	123.1	30	6000	4.0(40)	0.8(8)	0.03	9.1

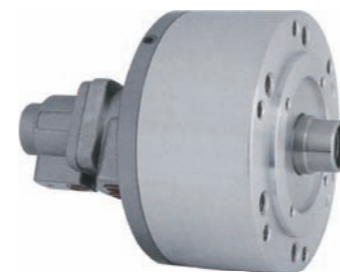
型號 Model	A	B	Ch7	D	E	F	G max	G min	H	J	K	L	L1	MH8	N	P
SLAN-E110	110	20	145	128	42	29	60	40	66	146	M20x2.5	6~M8x70	12	22	38	S20
SLAN-E120	120	21	168	145	42	29	60	39	69.5	148	M20x2.5	6~M10x75	17	22	38	S20
SLAN-E130	130	30	168	150	50	33	60	30	79.5	158	M24x3.0	6~M10x85	17	27	43	S24

* 保留技術更改的權利，恕不另行通知 Subject to technology changes without prior information
* 非標需求可訂做 Non-standard requirements can be made

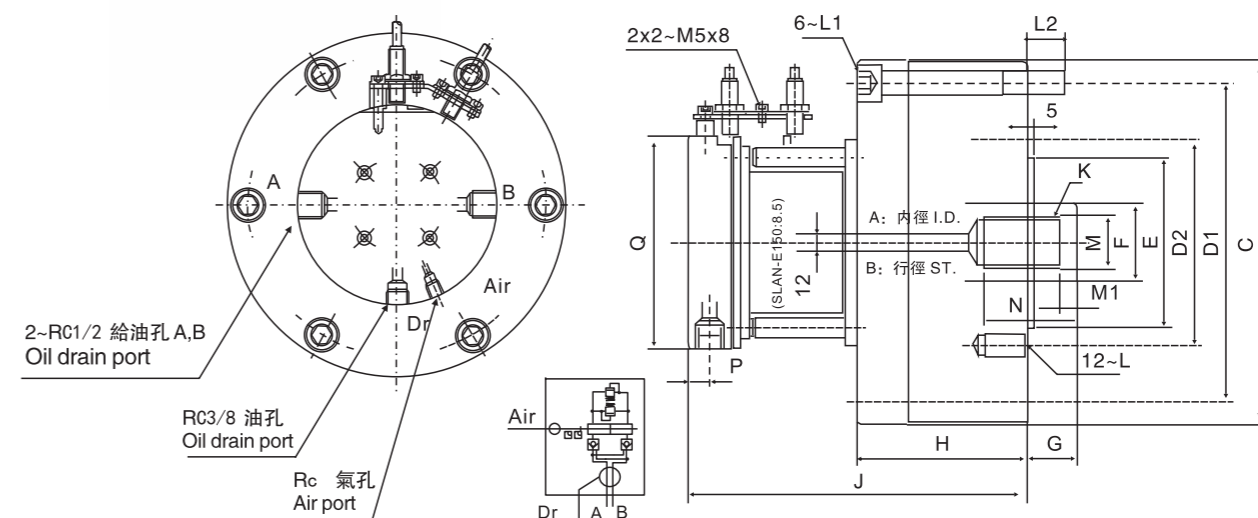
> SLANE SERIES

精短整合型注氣回轉油壓缸 (二)

COMPACT STYLE HYDRAULIC CYLINDER WITH AIR CONNECTION AND SAFETY DEVICE



- ◎ 高速，輕量整合型注氣回轉油壓缸，可經由後端回轉繼手供給空氣，特別適合使用于立式車床
- ◎ 內建逆止閥自鎖機構，泄壓閥及行程控制近接開關。
- ◎ 安裝時可由後端鎖固之。
- ◎ 泄油孔配管務必單獨接回油壓槽，以避免產生背壓。
- ◎ 使用時，請混入微量的油霧。
- ◎ For short form, light weight and high speed rotary cylinder. To allow compressed air to be feed from the rear end of the distributor through the rotating union, suitable for vertical lathe.
- ◎ Built-in safety check valves, pressure relief valves and proximity sensor.
- ◎ Can screw it from the rear end of the cylinder when mounting.
- ◎ The drain port should be independently connected to oil tank to avoid back pressure.
- ◎ When used, a little oil mist should be contained.



型號 Model	活塞面積壓側 Eff. piston area cm ² Extend	活塞面積拉側 Eff. piston area cm ² Retract	行程 (mm) Piston stroke	最高回轉速 max r.p.m	最大使用壓力 Max. Operating Pressure MPa(kgf/cm ²)	注氣部最高使用壓力 Mpa Air connection Max. pressure(kgf/cm ²)	慣性矩 kg·m ²	重量 Weight (kg)
SLAN-E150	174.4	160.8	30	5500	4.0(40)	0.8(8)	0.06	14.9
SLAN-E200K	292.4	274.9	35	4000	4.0(40)	0.8(8)	0.19	29.1
SLAN-E200L	292.4	265.4	50	4000	5.0(50)	0.8(8)	0.21	30.4
SLAN-E250	465.2	438.2	60	2000	5.0(50)	0.8(8)	0.43	47.2

型號 Model	A	B	C	D1	D2	E h7	F	G max	G min	H	J	K	L	L1	L2	M H8	M1	N	P	Q
SLAN-E150	150	30	205	180	130	110	45	60	30	99	177.5	M30x3.5	M12x24	M12x105	18.5	32	10	50	12.5	114
SLAN-E200K	195	35	257	225	145	120	55	73	38	120	239	M36x4.0	M16x30	M16x130	27	38	12	65	15	150
SLAN-E200L	195	50	257	225	170	125	65	80	30	135	254	M42x3.0	M16x30	M16x145	27	45	12	65	15	150
SLAN-E250	245	60	307	275	220	160	65	85	25	165	280	M42x3.0	M20x35	M16x175	28	45	12	65	15	150

* 保留技術更改的權利，恕不另行通知 Subject to technology changes without prior information
* 非標需求可訂做 Non-standard requirements can be made